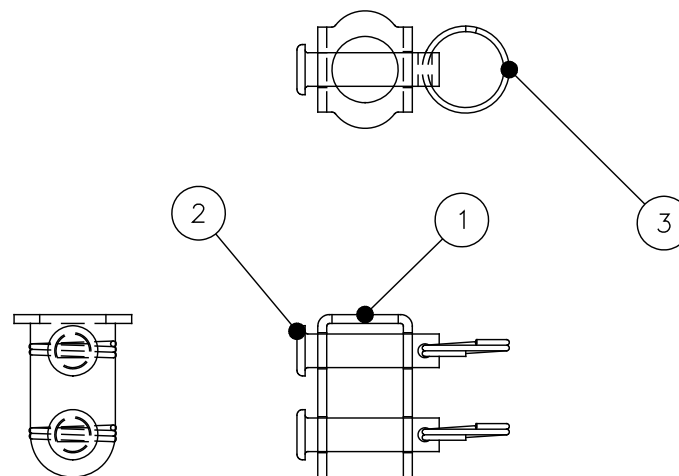


NO.	QTY.	PART NO.	MATERIAL DESC.	PART DESC.
1	1	H-24033A	S.S. TYPE 316	U-BRACKET
2	2	H-20955A	S.S. TYPE 302/305	CLEVIS PIN
3	2	H-21770A	302 S.S. SPRING STEEL	RING DING



<p>HARKEN INCORPORATED 1251 E. Wisconsin Avenue Pewaukee, Wisconsin 53072 414-691-3320 Fax: 414-691-3807</p>	ALL DIMENSIONS IN INCHES		ASSEMBLY - U-ADAPTER			DRAWING NO.	
	TOLERANCES (EXCEPT AS NOTED)						
	DECIMAL	ANGULAR	DRAWN BY TGH	MATERIAL VARIOUS		093	
	±	±					
	FRACTIONAL	HOLE DIAMETER	CHK'D	FINISH VARIOUS	SCALE FULL	DATE 05-20-97	
±	±	<p>© HARKEN YACHT EQUIPMENT DIVISION OF HARKEN, INC. The designs, constructions, arrangements, disclosures and devices illustrated in presentations bearing this note are the property of Harken, Incorporated, Pewaukee, Wisconsin and are submitted in confidence with the understanding that such material shall not be utilized in any way by any party without prior written consent from Harken, Incorporated.</p>					